



CorePro LEDlamps

CorePro LEDspotLV 5.5-35W WH MR16 36D

Delivering a warm, halogen-like accent beam, LEDspots are a perfect fit for spot lighting and have a broad compatibility with transformers. LEDspots are compatible with most existing fixtures with a GU10 / MR16 GU5.3 / E14 holder and are designed as a retrofit replacement for halogen or incandescent spots. LEDbulbs are compatible with existing fixtures with an E27 holder and are designed for retrofit replacement of incandescent bulbs. LEDcandle and LEDluster are compatible with existing fixtures with an E27/E14 holder and are designed for retrofit replacement of incandescent lamps. LEDlamps deliver huge energy savings and minimize maintenance cost

Product data

• General Characteristics

Bulb	MR16 [MR 16inch/50mm]
Rated Lifetime (hours)	20000 hr
Rated Lifetime (years)	10 an

• Light Technical Characteristics

Colour Code	WH
Colour Designation	White
Beam Angle	36 D
Beam Description	- [-]
Correlated Colour Temperature	3000 K
Luminous Intensity	1030 cd
Colour rendering index	80
Colour Temperature	3000 K [CCT 3000K]
Rated Luminous Flux	310 Lm

• Electrical Characteristics

Wattage	5.5 W
Wattage Technical	5.5 W
Voltage	12 V
Line Frequency	50-60 Hz
Power Factor	0.7 -
Lamp Current mA	565 mA
Dimmable	No

Wattage Equivalent	35 W
Starting Time	0.5 (max) s

• Measuring Conditions

Switching cycle	50000x
-----------------	--------

• Product Dimensions

Overall Length C	47.8 mm
Diameter D	50 mm

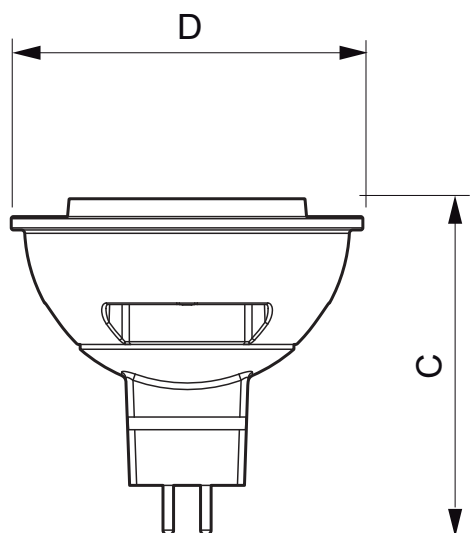
• Product Data

Order code	192725 00
Full product code	871829119272500
Full product name	CorePro LEDspotLV 5.5-35W WH MR16 36D
Order product name	CorePro LEDspotLV 5.5-35W WH MR16 36D
Pieces per pack	1
Packing configuration	10
Packs per outerbox	10
Bar code on pack - EAN1	8718291192725
Bar code on outerbox - EAN3	8718291192732
Logistic code(s) - 12NC	929000211702
Net weight per piece	0.046 kg



PHILIPS

Dimensional drawing



CorePro LEDspotLV 5.5-35W WH MR16 36D

Product	C (Norm)	C1 (Max)	D (Norm)	D1 (Norm)
LED 5.5-35W WH MR16 36D	47.8	-	50	-



© 2013 Koninklijke Philips N.V. (Royal Philips)
All rights reserved.

Specifications are subject to change without notice. Trademarks are the property of Koninklijke Philips N.V. (Royal Philips) or their respective owners.

www.philips.com/lighting

2013, December 15
data subject to change